

SHOWER TRAY INSTRUCTION

Please fully read these installation procedures and familiarise yourself with the components before commencement. Inspect the product immediately and fully upon receipt, and prior to installation for transit damage or any defects. Your tray may come with a protective film. If so, peel back to inspect and then replace. To protect the tray during installation, cut a piece of cardboard to the shape of the tray and lay into the tray.

IMPORTANT! Product Storage - Your tray must be stored flat and indoors.

Failure to do so may result in the tray becoming distorted and will not be covered by the guarantee.

PLEASE NOTE: FITTING OF THIS TRAY WILL BE TAKEN AS ACCEPTANCE OF THE QUALITY

Note! Weights may vary due to the manufacturing process by +/- 10% of the stated weight.

An amount of deviation can be expected on this type of product especially on the larger trays.

SHOWER TRAY INSTALLATION ONTO A TIMBER FLOOR

It is recommended that all flat top shower trays are installed before tiling to ensure that the top radius of the tray is behind or at least below the tile face. This will help to create a water tight seal (Fig 5).

Carefully lower the tray into the chosen position, then mark the floor for the waste opening (Fig 2).

Check below the floor level to ensure that there is adequate access for the waste and pipe work.

If an obstruction is found, drill a hole and make provision in the floor of a sufficient diameter to allow the entire waste Coupling to fall below the floor level. Make sure the floorboards are securely fixed.

If this is not possible, use 18/20mm thick green grade chipboard, cut to the size of the tray and fix in place.

Caution!! Before attempting to secure any loose floorboards or the chipboard to the floorboards, check that there are no pipes or electrical connections beneath the floor level.

Seal the installation area with a suitable clear waterproofing agent.

So that the tray is bedded completely level the tray area has to be FULLY COVERED with an 8mm minimum thickness of weak cement mix (Fig 3). The minimum thickness of mortar at the lowest point should be 5mm after the tray has been levelled. Check that the top of the tray is level (Fig 4).

Ensure that the entire base of the tray is fully supported as the base of the tray may not be entirely level. This is due to the manufacturing process. Note the base of the tray has a built-in fall to allow for drainage. When the cement has set, make the connection between the shower tray and the waste pipe.

The shower tray and all connections MUST now be checked for water tightness, flow and adequate drainage over the entire area. It is recommended that you use a suitable silicone sealant around the waste to create a watertight seal.

DO NOT PROCEED IF NOT SATISFIED.

HOW TO MIX UP A STANDARD MORTAR

Mix 1 part ordinary cement to 5 parts soft sand. Mix the two together on a smooth hard surface.

Measure the sand and then add the cement on top. Turn them together until they make a uniform colour. Make a crater and add water gradually. Turn the mix into the water to a flexible consistency. It must not be runny or equally too dry!

In the case of a flat top shower tray, it is advised that all the tray to wall joints are now sealed with a bead of silicone sealant, once this has been done the walls can be tiled. Ensure that you apply an additional bead of silicone sealant between the tray and the tiles, prior to fitting the wall channels (Fig 5).

INSTALLATION ON TRAY LEGS

**IN ORDER TO MAINTAIN THE TRAY WARRANTY, YOU MUST USE THE COMPATIBLE
UNIVERSAL LEG & PANEL KIT.**

THE USE OF A SUPPORT BASE BOARD IS ESSENTIAL AS OUTLINED IN THE LEG KIT INSTRUCTION.

To maintain the high quality of surfaces, especially the matt impression, for a long period of time, following care and cleaning instructions should be minded:

- No chemical aggressive and alcohol based cleaning materials (often found in glass cleaners) Especially ones that contain solvents or fats, should be used, water or a mild detergent are generally recommended.
- Abrasive cleaning agents and scouring agents can damage the surface and therefore must be avoided.
- No acetone based nail polish remover.
- Never use steel wool, scrubbing pads, aggressive (hard) cleaning sponges for cleaning purposes. Ideally, use soft cleaning materials, e.g. cotton cloths or soft sponges, and clean them first. When removing mineral soiling, such as sand, the cleaning agent must be continuously rinsed. It is recommended to wash microfibre cloths at least once at 90°C before use.
- Remove stains as soon as possible, it makes them much easier to remove.
- Never use steam cleaners.
- If cleaning the surface with water or a mild detergent does not achieve the desired result, we recommend to repeat the process several times.

FIG 1

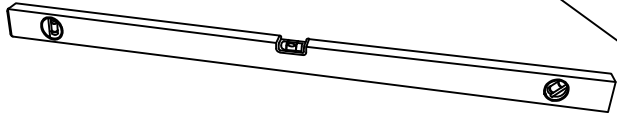


FIG 2

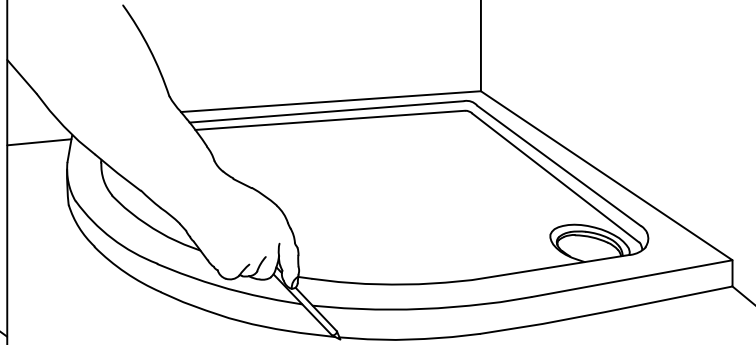


FIG 3

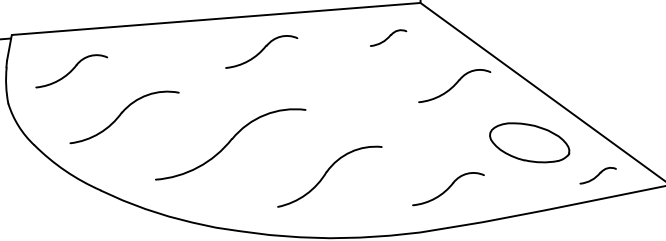


FIG 4

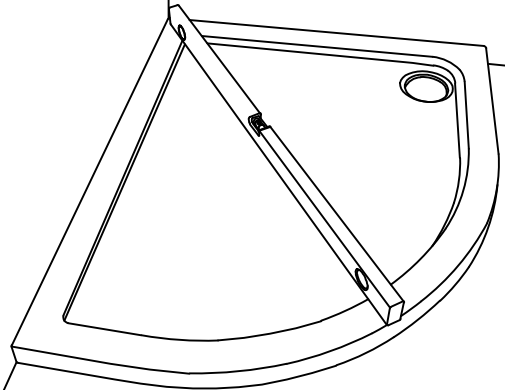
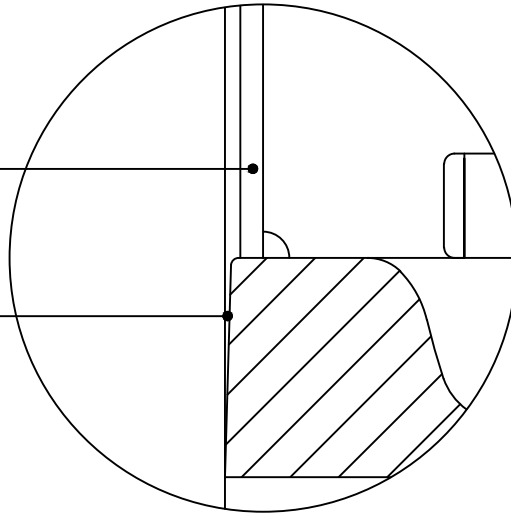


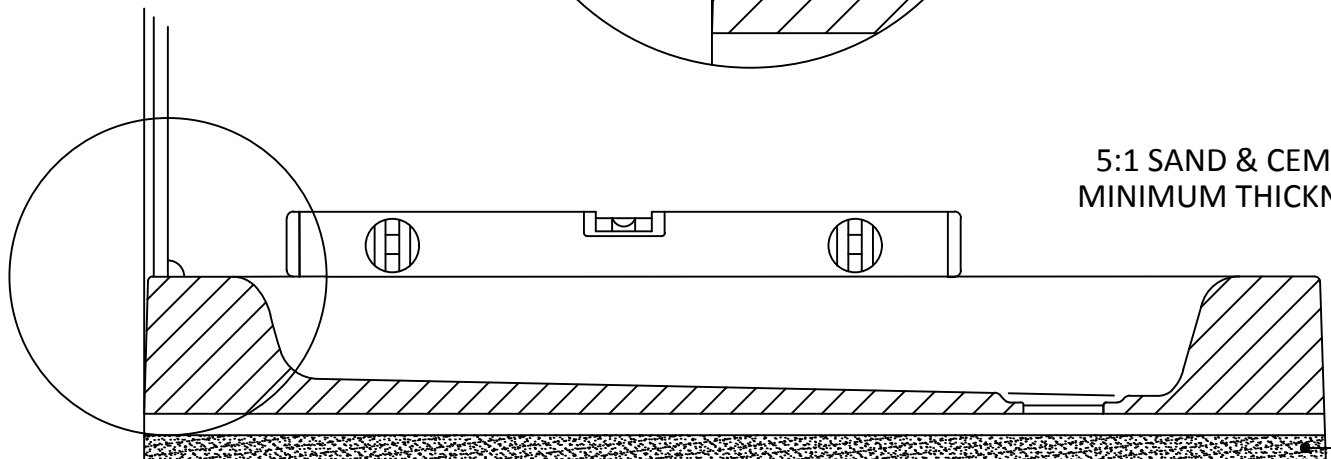
FIG 5

MOUNT TILES OVER RADIUS EDGE

SILICONE SEAL BEHIND AND BETWEEN THE TRAY & WALL



5:1 SAND & CEMENT MIX
MINIMUM THICKNESS 8mm



GREEN GRADE CHIPBOARD 18mm TO 20mm