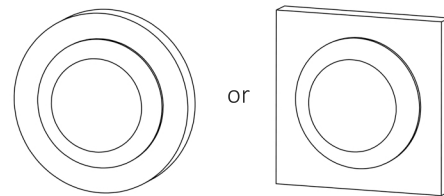


INSTALLATION
INSTRUCTIONS

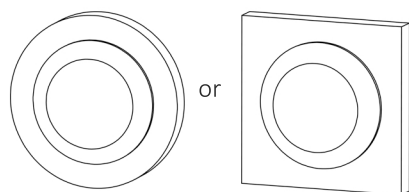
1 x SHOWER LED
GLASS LIGHT
ROUND/SQUARE



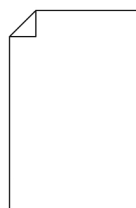
CODE: SE380010/SE81010

IMPORTANT: Please read these instructions before commencing installation and retain for future reference.

Components



1 x SE380010/SE81010

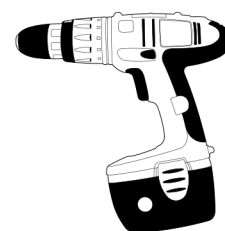


1 x instructions

Tools required



70mm Hole Opener



Power Drill

Important Safety Information

Please read these instructions carefully before attempting to install this product. It is advisable to keep these instructions in a safe place for future reference.

We recommend that you consult a qualified electrician. All electrical installation must be carried out in accordance with current IEE wiring regulations (BS7671).

These products must not be modified, if any modification are made, it may invalidate the warranty and may render the product unsafe.

- This product is IP55 Rated.
- Special attention should be made to any installations with low ceiling voids.
- Never cover with any insulating materials.
- Ensure the lamp is correctly installed into the lamp holder.
- For use with Mains supply.

Please note, there must be at least 0.5m distance between the front of the luminaire and the nearest illuminated surface.
Do not install this product into new plaster or damp areas.

Safety Instructions

1. Before commencing installation or maintenance, isolate the main electrical supply for the appropriate circuit at the fuse board.
2. This product is suitable for connecting to a 240V 50Hz supply.
3. The lights should be mounted onto a secure surface.
4. Do not, under any circumstances, cover with any insulating materials.
5. Suitable for furniture lighting.

Waste Electrical & Electronic Equipment (WEEE)

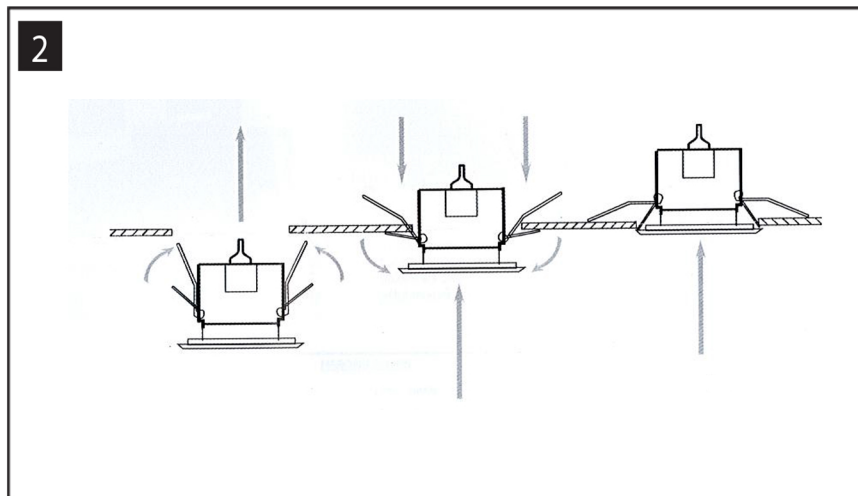
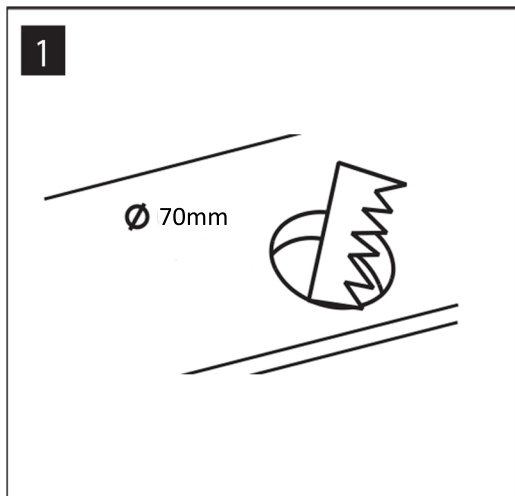
The symbol on the product, or on the document accompanying the product, the crossed out wheellie bin symbol, indicates that this product may not be treated as household waste. Instead it shall be handed over to the applicable collection point for the recycling of electrical and electronic waste.



RoHS
Compliant ✓

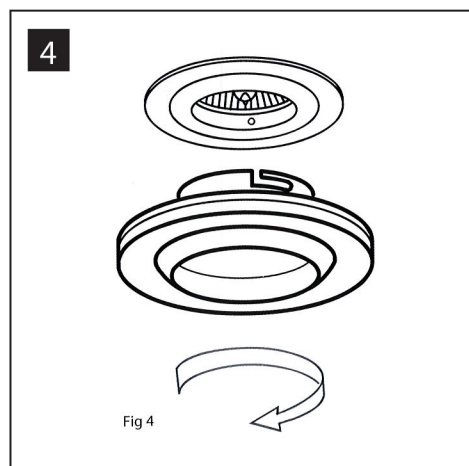
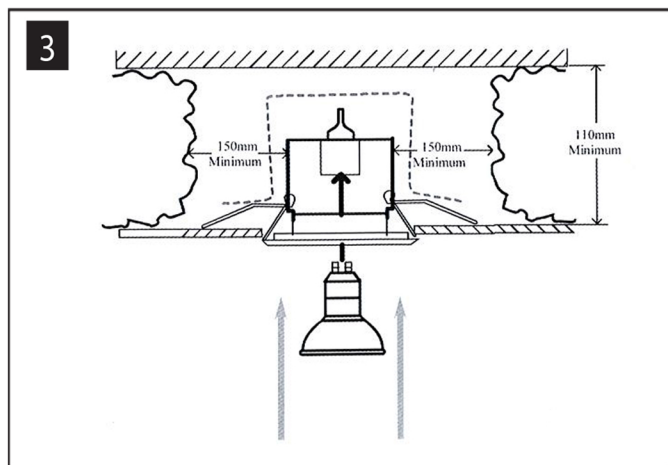


Installation



Prior to commencing work isolate power. Check that the correct lamp type is being fitted. Select the required position, beware of joists, water pipes and electric cables.
Cut a 70mm hole in the ceiling.

Insert the fitting into the hole cut, allowing the legs to clip back onto the ceiling to create a secure fitting. Connect the light to the mains supply.



Please see above diagram for clearance measurements. To meet "Part C" of the building regulation's and to provide sufficient air-tightness, a seal is fitted in front of the bezel ring. This avoids the occurrence of condensation forming in cold un-vented roof spaces.

Remove the front protective glass. Secure the lamp within the lamp holder that is built into the fitting- as shown in figure 4. Then twist the glass cover into place. **Never operate the downlight without protective glass in place.**

Changing the Lamp

Before changing the lamp always disconnect from power supply. Always allow the lamp to cool before removing.

Maintenance & Care

- Ensure that the power is disconnected prior to cleaning.
- To keep the finish of this product, wipe over with soft cloth periodically.
- Do not use harsh chemical solvents, it may dis-colour or damage the finish.