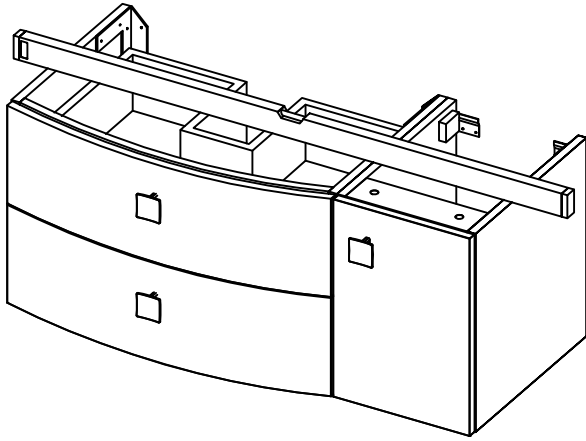


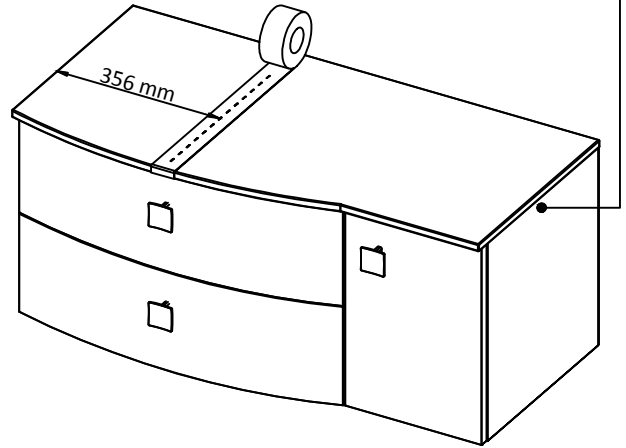
SARENNA MARBLE TOP AND BASIN, FITTING INSTRUCTION.

1. THE UNIT IS NOW FIXED TO THE WALL ENSURE IT IS LEVEL IN ALL PLANES PRIOR TO FITTING THE MARBLE TOP AND BASIN.

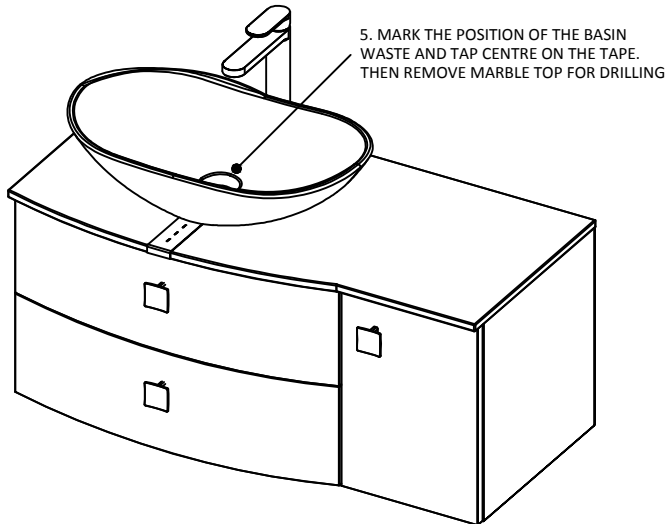


2. MARK A CENTRE LINE ON THE TAPE TO DIMENSION SHOWN.

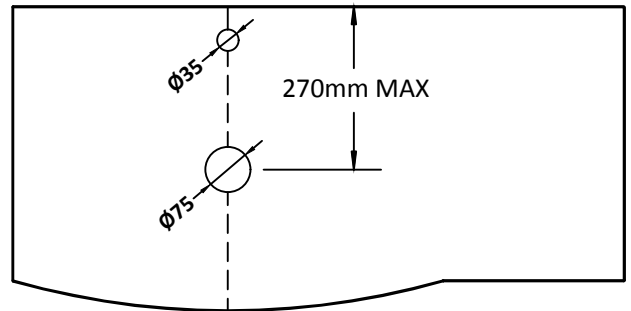
3. PLACE THE MARBLE ONTO THE UNIT WITH EQUAL AMOUNT OF OVERHANG AT EITHER SIDE.



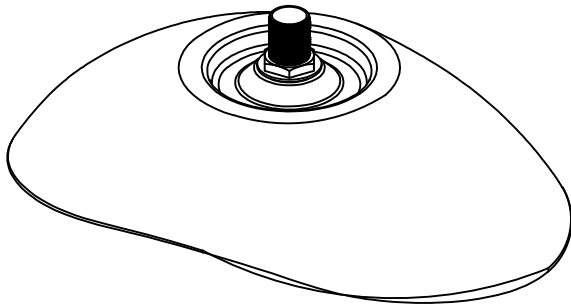
4. PLACE THE TAP AND BASIN IN THE DESIRED POSITION. THE BASIN WASTE CENTRE CAN BE NO MORE THAN 270mm FROM THE BACK EDGE.



5. DRILL THE MARBLE $\varnothing 35$ mm FOR TAP AND $\varnothing 75$ mm FOR THE BASIN WASTE ON A SUPPORTED SURFACE. USE A DIAMOND CUTTER WITH COOLANT AS REQUIRED.

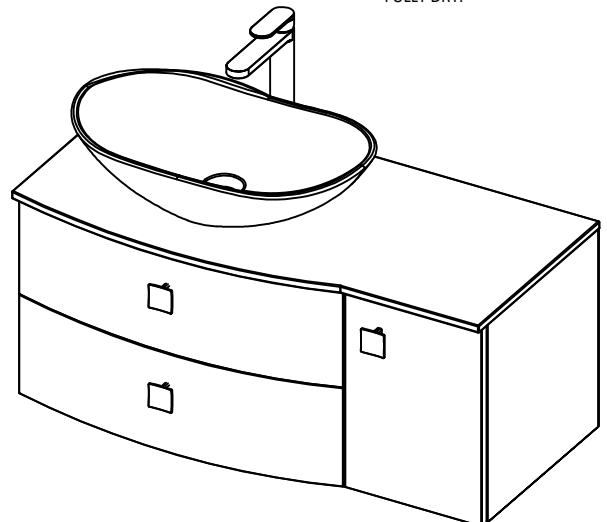


7. FULLY FIT AND SEAL WASTE TO BASIN



8. REFIT AND SECURE THE MARBLE TOP USING SMALL BLOBS OF SILICONE ON THE UNIT TOP EDGES. ENSURE THE TOP IS CENTRALISED.

9. FIT TAP AND BASIN. USE A SMALL AMOUNT OF SILICONE TO SECURE THE BASIN IF REQUIRED. ALLOW 24 HOURS FOR SILICONE TO FULLY DRY.



CARE & MAINTENANCE

WE RECOMMEND THAT THE MARBLE TOPS ARE RE-SEALED APPROX. EVERY 6-12 MONTHS. APPLICATION ON ANY SEALER SHOULD BE IN ACCORDANCE WITH THE MANUFACTURERS INSTRUCTION.
CLEAN THE PRODUCT WITH WARM SOAPY WATER OR VERY MILD DETERGENT.

DO NOT USE CHEMICAL DETERGENTS OR ABRASIVE CLEANERS.
SMALL MARKS AND MINOR SCRATCHES CAN BE BUFFED OUT USING A FINE T-CUT COMPOUND
DO NOT POUR BOILING WATER OR PLACE VERY HOT OBJECTS ON THE SURFACE AS THIS CAN CAUSE DAMAGE TO THE FINISH