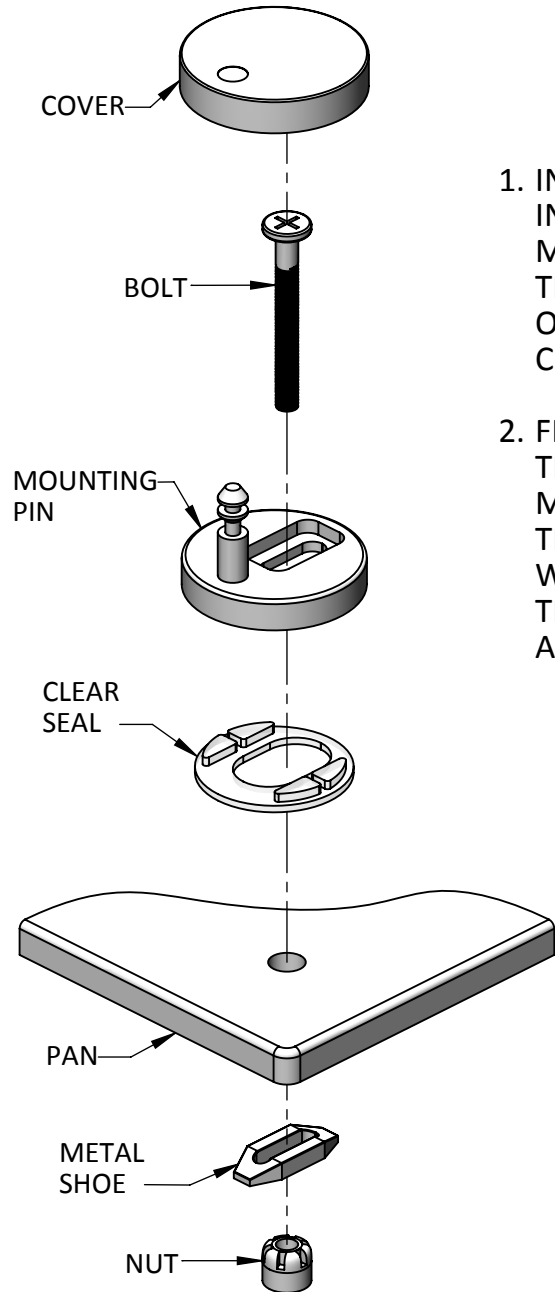
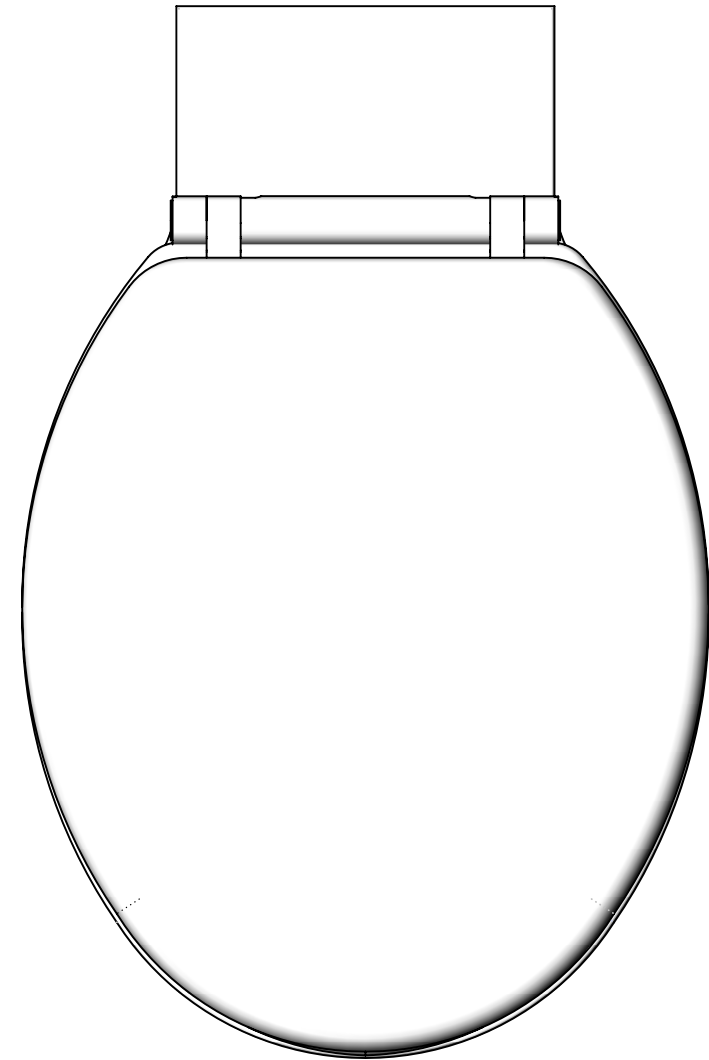


TOILET HINGE FITTING INSTRUCTION



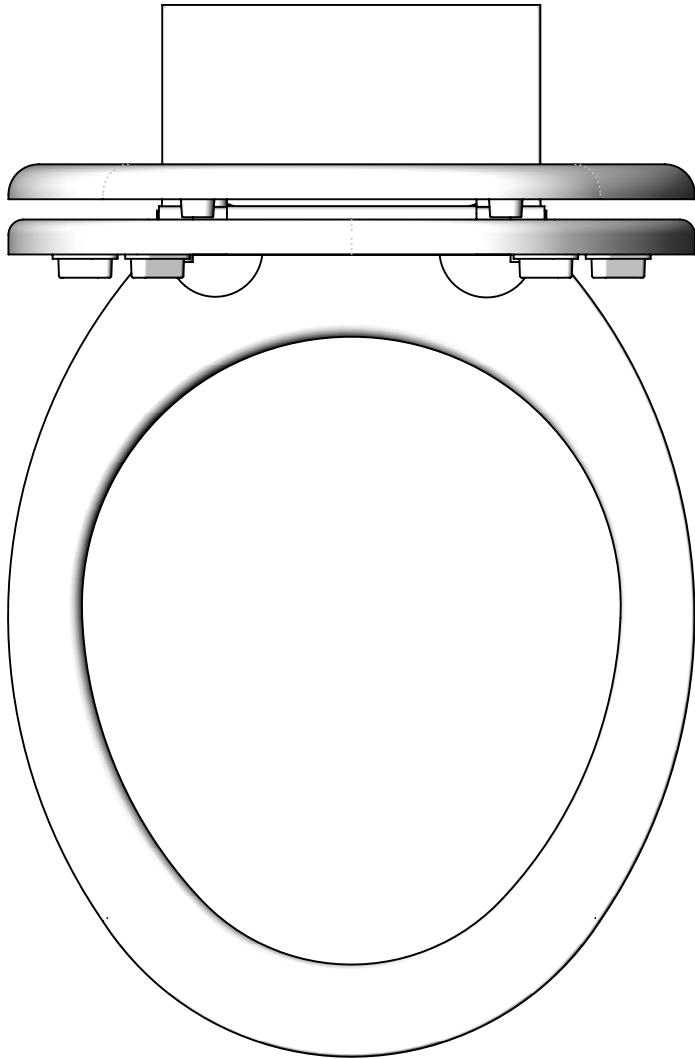
1. INSERT THE CLEAR SEAL IN THE BOTTOM OF THE MOUNTING PIN ENSURING THE SLOT IS NOT OBSTRUCTED BY THE CLEAR SEAL.
2. FIT THE SUPPLIED BOLTS THROUGH THE PAN AND MOUNTING PINS AND FIT THE METAL SHOES ALONG WITH THE NUTS. HAND TIGHTEN, ALLOWING FOR ADJUSTMENT.



3. FIT THE SEAT ONTO THE PINS AND ADJUST UNTIL THE SEAT IS ALIGNED CORRECTLY ON THE PAN.

4. TO REMOVE THE SEAT, PRESS THE QUICK RELEASE BUTTON ONCE AND LIFT THE SEAT OFF THE MOUNTING PINS SIMULTANEOUSLY IN THE UPRIGHT POSITION.

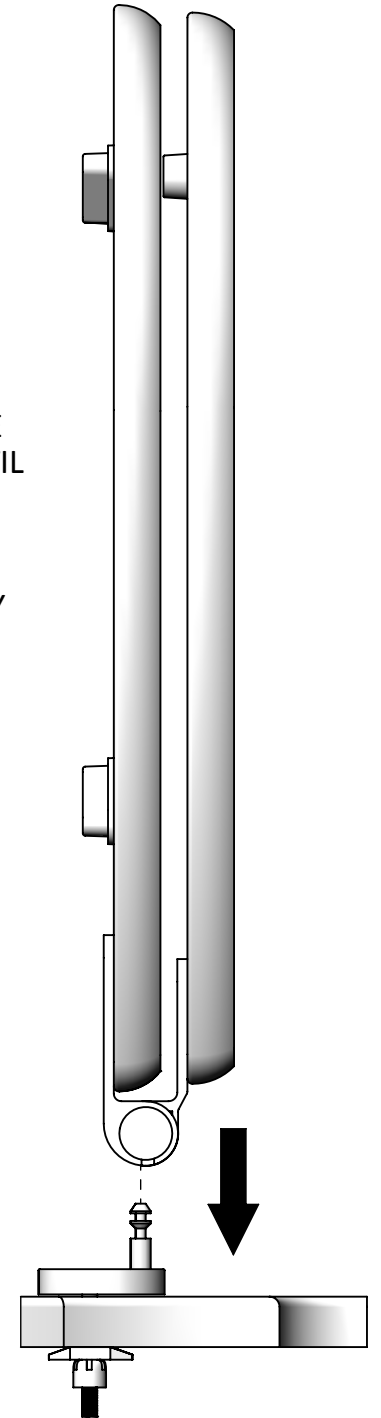
5. TIGHTEN BOLTS FULLY. **(DO NOT USE A POWER TOOL OR OVER TIGHTEN).**



6. ENSURE THE COVERS HAVE BEEN PLACED IN POSITION BEFORE REFITTING THE SEAT.

7. POSITION THE SEAT BACK ONTO THE PINS AND GENTLY PUSH DOWN UNTIL THE SEAT LOCATES ON THE MOUNTING PINS.

8. CHECK THE RELEASE MECHANISM BY REPEATING STEP 4.



BATHROOM FURNITURE CUSTOMER CARE GUIDE

Please note that although these units have been designed to give years of pleasure and satisfaction, you will help maintain the original beauty of your bathroom by following these guide lines.

Melamine, Vinyl and Foil Wrapped Doors

Occasional marks, can in most cases, be removed with a soft damp cloth. More persistent marks can be removed using a non silicone based furniture cleaner. Hot soapy water should be avoided. Once the mark is removed, the area should be wiped over with a damp cloth to remove any excess and dried with a soft clean cloth. On no account should solvent or an abrasive cleaner be used as permanent damage to the finish could take place.

High Gloss Doors

Use a cleaning product not containing aggressive substances like acetone, alcohol, bleach ... as those components could seriously damage the surface of the door. The best would be to use a soft cotton or micro fibre cloth with only water and soft soap (containing a maximum 1% of liquid soap)

Carcase Components

Do not use polish on any surfaces. A damp cloth with soapy water will clean off most marks or spills. Bleaches, scouring pads and multi-surface cleaners should not be used. Any exposed carcass components have been treated to prevent any water ingress.

Drawers, Runners, Door Hinges

These should be wiped out with a damp soapy cloth and wiped dry with a soft cloth as necessary. The roller runners and hinges are lubricated and should not be cleaned with a degreasing agent as this will affect the action of the moving parts. Never lean on partially or fully opened doors and drawers in order to gain access to the units. The hinges are specified to adequately support the weight of the door, plus small additional weights such as wire accessories. It is advised that once the bathroom has been installed you should check every six months that all screws on the hinges are tight.

Worktops

Although the worktop is hard wearing, sharp objects will scratch and excessive heat will scorch the surface. Care should be taken not to drop any heavy objects onto the worktop as the surface may crack. For cleaning, a damp soapy cloth will clean off most spills. Bleaches, scouring pads and multi-surface cleaners should not be used. Corrosive liquids and make-up should be wiped off immediately. On no account should any spillage, even water, be allowed to lie on the surface.

Temperature and Humidity

Avoid excessive change in temperature and humidity. Always try to ensure adequate ventilation.

General care, spillages and splashes

On no account should any spillages or splashes, even water, be allowed to lie on any surface. All spillages and splashes should be wiped dry, failure to do so may shorten the life expectancy of the product and invalidate any guarantees.

Regulations

If it is your intention to remove and replace your bathroom fittings with "like for like" units, then this is classed as "non regulated" and no building regulations would be required. However, building regulation approval may be required if the bathroom refurbishment involves altering the drainage or the internal layout within the dwelling to accommodate the new fitting such as a second bathroom. In this instance, we would advise you to contact the Building Control Department at your local authority to discuss the need for a formal building regulation application.

Macerator - Current building regulations specify that a sanipump smallbore system can be fitted in a dwelling where there is also a normal gravity discharge W.C. It should not be the only W.C. facility.

Electrical - Remember that double pole isolating switches are required for all electrical points apart from special razor sockets. All work must conform to BS7671: 2008 the current I.E.E. Regulations.