

BASIN TEMPLATE INSTRUCTION

Stage 1. Worktop Cutting instruction

Before you begin, fit the worktop to the base unit.

1. Cut out the Worktop and Fascia templates along the dotted lines.
2. Measure the worktop overhang from the fascia front on the unit, 'distance X' (see Fig. 1)
3. Mark distance 'X' on the top face of the Worktop from the front edge. This determines the front fascia position.
4. Find the centre of the base unit and using masking tape mask beneath, lay the cut out template on the worktop aligning the centre line with the centre of the base unit marked in the previous step (See Fig.2). Repeat by flipping over the template.
5. Using masking tape and a pencil mark the cut-out positions on the fascia just below the worktop by tracing around the template outline onto the masking tape.
7. Detach the worktop from the unit and secure appropriately on a cutting bench before cutting along the traced outline.
8. Drop the basin into the slot on the worktop and find its central position then mark where the curved sides meet the worktop front (See Fig. 4).
9. Continue this line on the top of the worktop by distance 'X' measured in step 2.
10. Cut the notch (See Fig. 5). Proceed to Stage 2 Fascia cutting instructions.

Stage 2. Fascia Cutting Instructions

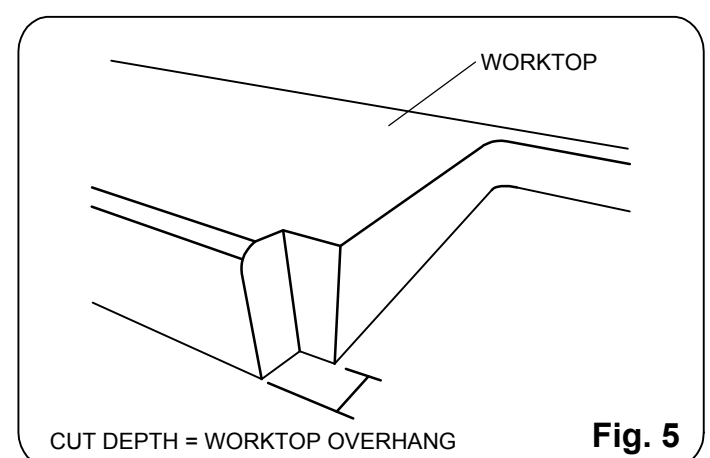
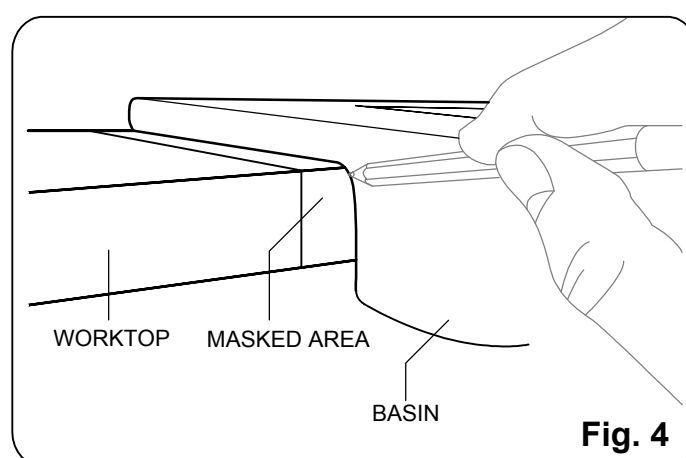
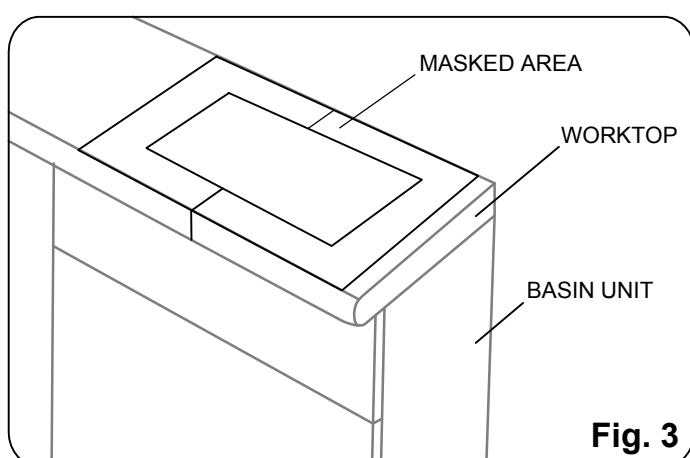
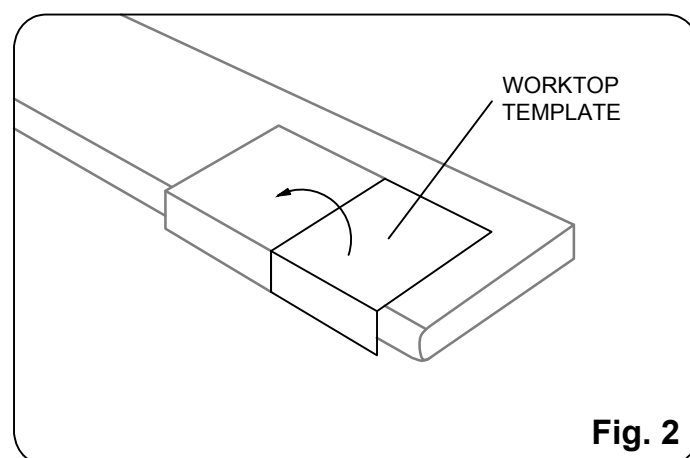
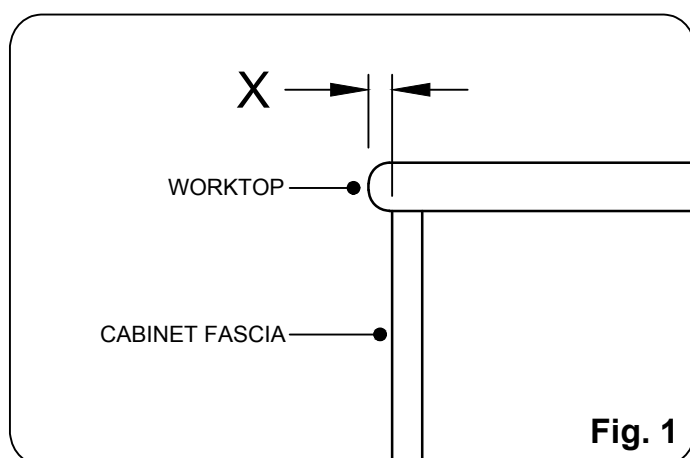
Before you begin, detach the fascia from the base unit

1. Measure the worktop thickness
2. Mark this distance on the Worktop Thickness area of the Fascia Template using the pre printed lines as a guide.
3. Find the centre of the fascia and using masking tape and a pencil mark this position.
4. Lay the cut out Fascia Template on the fascia aligning the centre line with the centre of the fascia marked in the previous step (See Fig. 6)
5. Using masking tape mask beneath the template edges on the fascia. Trace around the template outline onto the masking tape.
6. Secure the fascia appropriately on a cutting bench before cutting along the traced outline.
7. Reattach the fascia to the base unit. Proceed to Stage 3. Basin Fitting Instructions.

Stage 3. Basin Fitting Instructions

Before you begin it is recommended that you seal all the cut edges of the worktop and fascia with waterproof sealant (not supplied) to avoid water penetration.

1. Apply waterproof sealant (not supplied) to the rim of the basin and the area of the worktop where the two mate.
2. Place the basin (complete with tap and waste fittings) in position on the worktop and apply a firm pressure around all edges of the basin to achieve a good seal.
3. Remove excess sealant.
4. Allow the sealant to set for the recommended 24 hours.



240

CENTRE LINE

NBV172 - SQUARE VESSEL TEMPLATE

300

FRONT FACE OF CABINET FASCIA (FOLD HERE)

55

